



ON THE ROAD



**RV HOT-SELLING
COLLECTION**



BLACK RHINO

T11, T12, MINI-2A, MINI-2B

BASE CAMP

3B, 3C, 3D

COMMA

CB, CE,



**BASE
CAMP**



BLACK RHINO



comma

GO ANYWHERE YOU WANNA



It's snowing outside
Open the BLACK RHINO trailer door
just go home



BLACK RHINO



T11



T12



T13



MINI-2A



MINI-2B



COMING SOON...

BLACK RHINO

OFF-ROAD CARAVAN

T11



2-3 Sleeps

- Lightweight sandwich-structured composite panel.
- Standard wiring harness is easy to install and repair.
- Automatic cooling system protects electrical appliances.
- Queen size folding sofa bed.
- Separate bathroom.
- Off Road independent suspension.



TRAILER BODY

4900
MM / LENGTH

1400
KG / DRY WEIGHT

2400
KG / AMT



BLACK RHINO >> T11



INTERIOR

SLEEPING AREA	U SHAPE SOFA+ SPONGE MATTRESS
LEISURE AREA AND CABINET	ENVIRONMENTAL PROTECTION PAINT FREE BOARD
FLOOR	VINYL FLOOR
BED SIZE	1500*2000MM



Adjustable table, U-shape sofa
(changeable bed)



Push-button switch panel



LCD TV and folding stand



Induction cooker + washing sink
+ refrigerator



Air conditioning+ reading lights



Bathroom

BLACK RHINO

OFF-ROAD CARAVAN

T12



2-3 Sleeps

- Lightweight sandwich-structured composite panel.
- Automatic cooling system protects electrical appliances.
- Queen size front bed.
- Sofa bed with adjustable table.
- Separate bathroom.
- Off-Road double axle independent suspension.
- Pop top roof.
- Perfect/awesome wild exterior.



TRAILER BODY

5650
MM / LENGTH

1700
KG / DRY WEIGHT

2400
KG / AMT



BLACK RHINO >> T12

INTERIOR

SLEEPING AREA

1300*2000MM

LEISURE AREA AND CABINET

ENVIRONMENTAL PROTECTION PAINT FREE BOARD

FLOOR

VINYL FLOOR

SOFA AND TABLE

SOFA SEAT WITH ADJUSTABLE TABLE TRANSFORM TO BED 900*1900



Pop-top roof.
higher interior space after roof up.



Installed with push-pull screen door.



195/70R15 Off -Road Muddy Tyre.



Adjustable table folding down can
transform into a single bed.

BLACK RHINO

OFF-ROAD CARAVAN

MINI-2A



 **2-3 Sleeps** ➤

- Internal Storage
Separate Wardrobe With Large Storage Space
- External storage
Each Side Storage With Locked Up Function
- Bed
1500×2000mm Queen Size Bed
- Body
Light weight, Heat Preservation, Environmental Friendly Body material



TRAILER BODY

4995
MM / LENGTH

1000
KG / DRY WEIGHT

2700
KG / AMT



BLACK RHINO >> MINI-2A



INTERIOR

SLEEPING AREA

SPONGE MATTRESS

LEISURE AREA AND CABINET

ENVIRONMENTAL PROTECTION PAINT-FREE BOARD



The MINI-2A soaks up bumps, undulations and corrugations like no other off-road trailer.



Our design concept is to provide high quality and spacious living space.

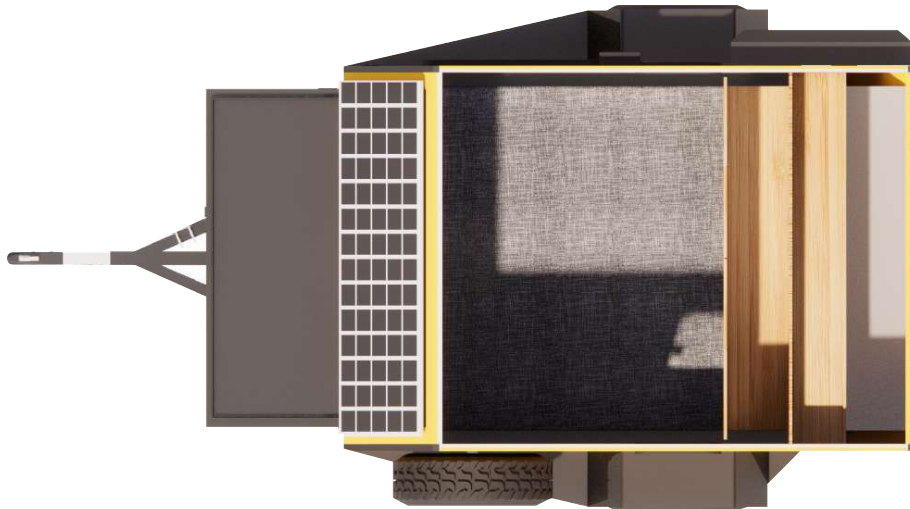


The MINI-2A has a 60L fridge and can accommodate a wide variety of cooktops such as gas, diesel and induction, and has ample space for larger portable BBQs

BLACK RHINO

OFF-ROAD CARAVAN

MINI-2B



2-3 Sleeps

- Good sealing and heat preservation body
- Light weight
- A variety of color body options
- 1200mm×2000mm Queen Size Bed



TRAILER BODY

4200
MM / LENGTH

700
KG / DRY WEIGHT

1500
KG / AMT



BLACK RHINO >> MINI-2B



INTERIOR

SLEEPING AREA

SPONGE MATTRESS

LEISURE AREA AND CABINET

ENVIRONMENTAL PROTECTION PAINT-FREE BOARD



Detachable side storage compartment and folding table.



Various specifications of solar panels are available.



Pull-out gas stove, foldable kitchen accessories.



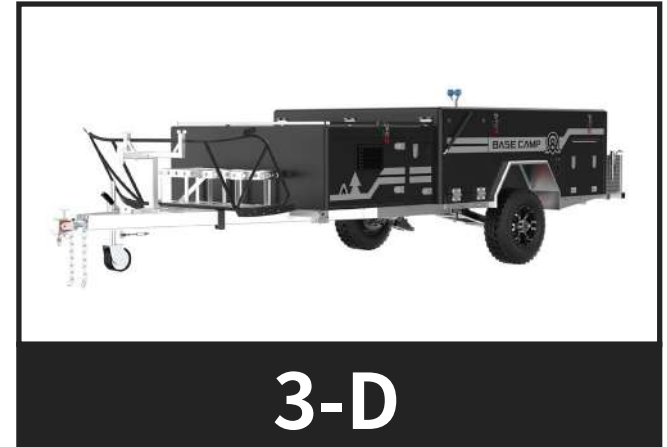
BASE CAMP



**CAMPING
THIS WEEKEND!**



BASE CAMP



**CAMPERS DESIGNED FOR FAMILIES
WE FOLDED OUR COZY HOME INSIDE
THE BASECAMP**

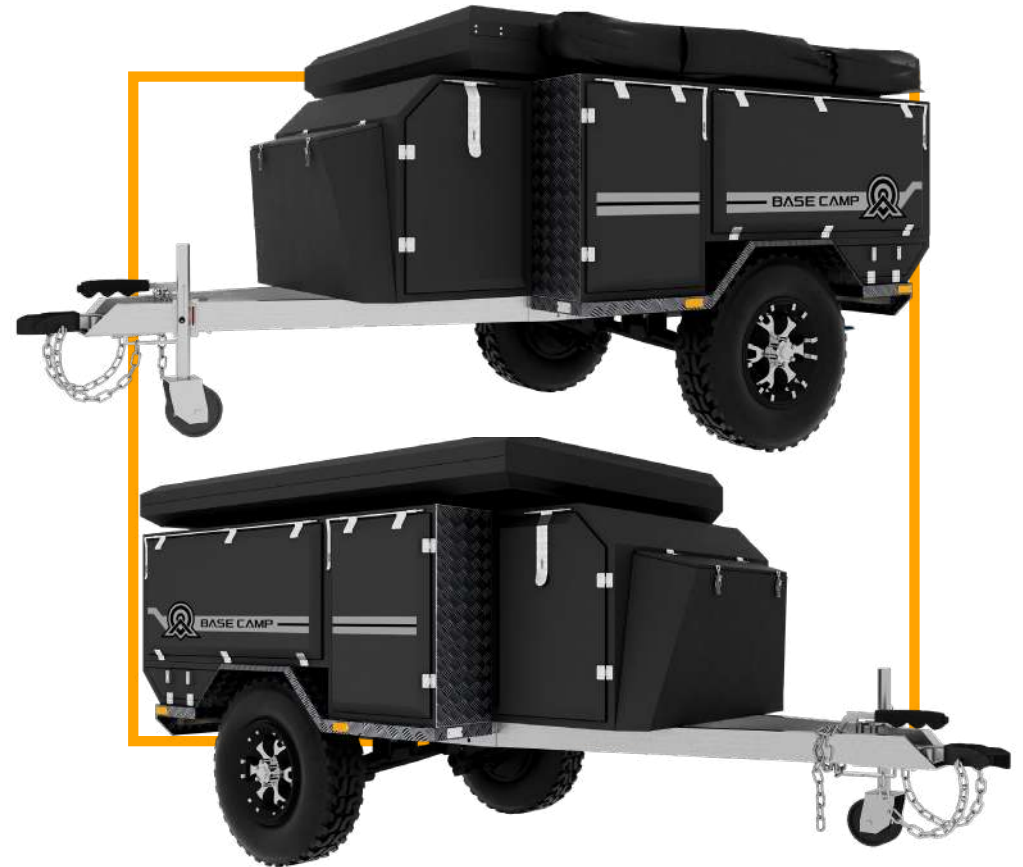
BASE CAMP

OFF-ROAD CARAVAN

 1-2 Sleeps >

- Perfect choice for offroad camping
- Rooftop tent, easy operation
- Large storage space, over 2500 liters of storage capacity, 9 separate compartments.
- Excellent chassis, mono body construction, and offroad independent suspension
- multifunctional slide-out kitchen

3-B 



TRAILER BODY

3900
MM / LENGTH

1870
KG / WIDTH

1600
KG / AMT



Storage

Storage capacity: over 2500 liters
Massive rear full extension storage drawers, each drawer runs on a heavy-duty capacity
Two large additional storage compartments on the left side for bulkier items
Up at the front of the nosecone is an additional storage compartment

INTERIOR

ELECTRIC SYSTEM

TWO 100 AH LEAD ACID BATTERY

2000W CHARGING AND INVERTING INTEGRATED INVERTER

240V SOCKET, 12V USB SOCKET, CIGAR LIGHTER SOCKET, ANDERSON PLUG

INTERIOR LED LIGHTING AND EXTERIOR LIGHTING

Kitchen

Slide out kitchen with windbreak and folding support leg
includes: 2 burner stove
sink with plumbed hot water
Spare space for slide fridge box



BASE CAMP

DOUBLE FOLDING OFF-ROAD CARAVAN

 4-6 Sleeps >

- Perfect choice for family camping.
- Multifunctional tent (large space, high heat resistance and simple operation)
- Easy to set up, with the humanized layout and the maximum space distribution of details.
- 1940×1400mm two double bed areas.
- U-shaped sofa transformable bed.

3-C 



TRAILER BODY

5400
MM / LENGTH

1100
KG / DRY WEIGHT

2400
KG / AMT



INTERIOR

SLEEPING AREA	TWO FIXED DOUBLE BED AREAS 2 X DOUBLE MATTRESS
U SHAPE LEATHERETTE SOFA BED	U-SHAPED SOFA BED, CHANGE TO BED
DEMOUNTABLE TABLE	DEMOUNTABLE TABLE
LEISURE AREA AND CABINET	ENVIRONMENTAL PROTECTION PAINT FREE BOARD
FLOOR	VINYL FLOORING

Storage

1. Front Storage - External slide out drawer with 12v power
2. Internal Under Seat Storage
3. Storage space under cabinet



Tent

1. Main Tent & Full Enclosed Annexe
2. Heavy-duty canvas (High strength, good impact resistance, heat-resisting, corrosion resistance, acidproof and lightproof)
3. Internal window and external all weather windows
4. Midge Proof door
5. Zips Throughout Main Tent & Awning



BASE CAMP

FORWARD FOLDING OFF-ROAD CARAVAN

 2-4 Sleeps >

- Multifunctional tent
(large space, high heat resistance and simple operation)
- Easy to set up, with the humanized layout and the maximum space distribution of details.
- 2000×1500mm two double bed areas.
- U-shaped sofa transformable bed.

3-D 



TRAILER BODY

5490
MM / LENGTH

1720
KG / DRY WEIGHT

2400
KG / AMT



About BC 3-D Tent Standard

1. Main Tent & Full Enclosed Annexe (2x Side Walls, 1x Front Wall, PVC Floor, Skirt & Awning). Pegs and Guy Ropes included
2. Canvas Main Tent Top (Tropical Roof)
3. Polycotton fine weave canvas (High strength, good impact resistance, heat-resisting, corrosion resistance, acidproof and lightproof)
4. Alloy Pole-Set

INTERIOR

SLEEPING AREA	TWO FIXED DOUBLE BED AREAS 2 X DOUBLE MATTRESS
U SHAPE LEATHERETTE SOFA BED	U-SHAPED SOFA BED, CHANGE TO BED
DEMOUNTABLE TABLE	DEMOUNTABLE TABLE
LEISURE AREA AND CABINET	ENVIRONMENTAL FRIENDLY PAINT FREE BOARD
FLOOR	VINYL FLOOR

Storage

1. Front Storage
2. Front Fridge Slide Compartment
3. Lockable Front & Rear Pole Storage
4. Internal Under Seat Storage





**SUNSHINE, RIVER,
FOREST AND COMMA.**

comma



C-B



C-E



COMING SOON...

FOCUS ON TEARDROP TRAILERS
COMMA MEANS UNFINISHED

COMMA

OFF-ROAD CARAVAN

C-B



 **2-4 Sleeps** >

- Small and light
- Sandwich lightweight thermal insulation and environmentally friendly body
- Small cars can also tow it



TRAILER BODY

—
4648
MM / LENGTH

900
KG / DRY WEIGHT

1500
KG / AMT

COMMA C-B

INTERIOR

U SHAPE SOFA BED

SPONGE MATTRESS

LEISURE AREA AND CABINET

ENVIRONMENTAL FRIENDLY PAINT FREE BOARD

FLOOR

VINLY FLOOR

BATHROOM

BUILT-IN WASHSTAND IN BATHROOM, SHOWER SYSTEM



Multifunctional kitchen and storage area.



U shape sofa can be transformed into a bed.



Integrated glass fiber reinforced plastic bathroom.



Sofa can also transform into a single bed.

COMMA

OFF-ROAD CARAVAN

C-E



 **2-4 Sleeps** >

- One-piece waterproof body with full sealing
- Small and light, easy to tow



TRAILER BODY

—
4200
MM / LENGTH

800
KG / DRY WEIGHT

1500
KG / AMT

COMMA C-E

INTERIOR

SLEEPING AREA

SPONGE MATTRESS

LEISURE AREA AND CABINET

ENVIRONMENTAL FRIENDLY PAINT FREE BOARD

FLOOR

VINYL FLOOR



Rear kitchen space great for all your cooking needs.



Rear kitchen space great for all your cooking needs.



Large circular window.



Bunk option for small children, dogs, or camping gear.

**Get in touch
with us!**

WWW.OTRCARAVANS.COM.AU